

We offer a complete line of steel and aluminum dock boards

Steel Dock Boards

Steel Dock Boards provides a safe ramp for heavy-duty loading dock applications. Our fully welded Steel Dock Boards are designed to assist you in loading and unloading freight with a forklift at your loading dock. Our dock boards feature all-welded steel construction and capacities from 15,000 to 40,000 pounds.

Selecting the proper dock board product for your application will improve product life, safety, and loading dock efficiency. Review the [Dock Board Selection Guide](#) on the back page prior to ordering to ensure your product selection is correct.



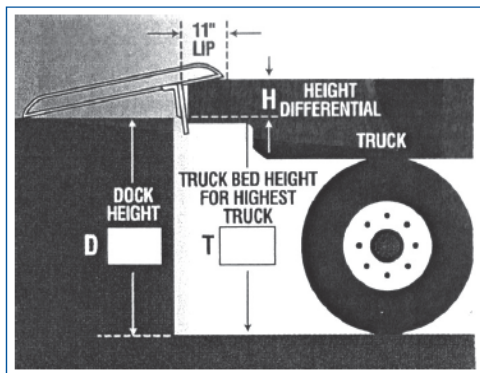
Aluminum Dock Boards

Aluminum Dock Boards are ideal for low to medium volume dock loading applications. Dock Boards are for use with forklifts and pallet jacks. A lightweight alternative to steel dock boards, aluminum dock boards are available in capacities ranging from 10,000 lbs to 15,000 lbs.



Dock Board Selection Guide

1. What is the lifting capacity of the Forklift? _____ lbs.
To determine board capacity multiply the lifting capacity of the forklift x 3.
2. Is the forklift ___4-wheeled or ___3-wheeled (if a 3-wheeled forklift is used, the board capacity should be increased to the next higher capacity)
3. Is the board used more than one shift a day? ___ yes ___ no
Capacity needs to be increased if used more than one shift a day.
4. What is the product that is traveling over the board? _____
5. What type of trailers will be serviced at the dock? _____
For refrigerated trucks, the legs or stops must be moved back to 14" instead of 11".
6. What is the dock height? (D) _____ inches
7. What is the highest trailer serviced? (T) _____ inches
8. What is the lowest trailer serviced? _____ inches
9. What is the maximum difference in height? (H) _____ inches
10. What type of equipment is used? ___ pallet trucks or hand trucks
___ gas forklifts
___ electric forklifts
___ other _____
11. What is the width of the forklift? _____ inches
The board should be 12" wider than the equipment used.
12. Is the trailer parked away from the dock? ___ yes ___ no
13. Other conditions _____



HEIGHT DIFFERENTIAL

Highest Truck Height **T**

We recommend using 55" for the T unless your customer says otherwise, since 55" is the maximum height of most trailers. On refrigerated or container trailers use 59"

Dock Height **D**

(You must measure this)

Height Differential (Maximum) **H**

H is equal to T minus D.

T = Inches

- D = Inches

H = Inches